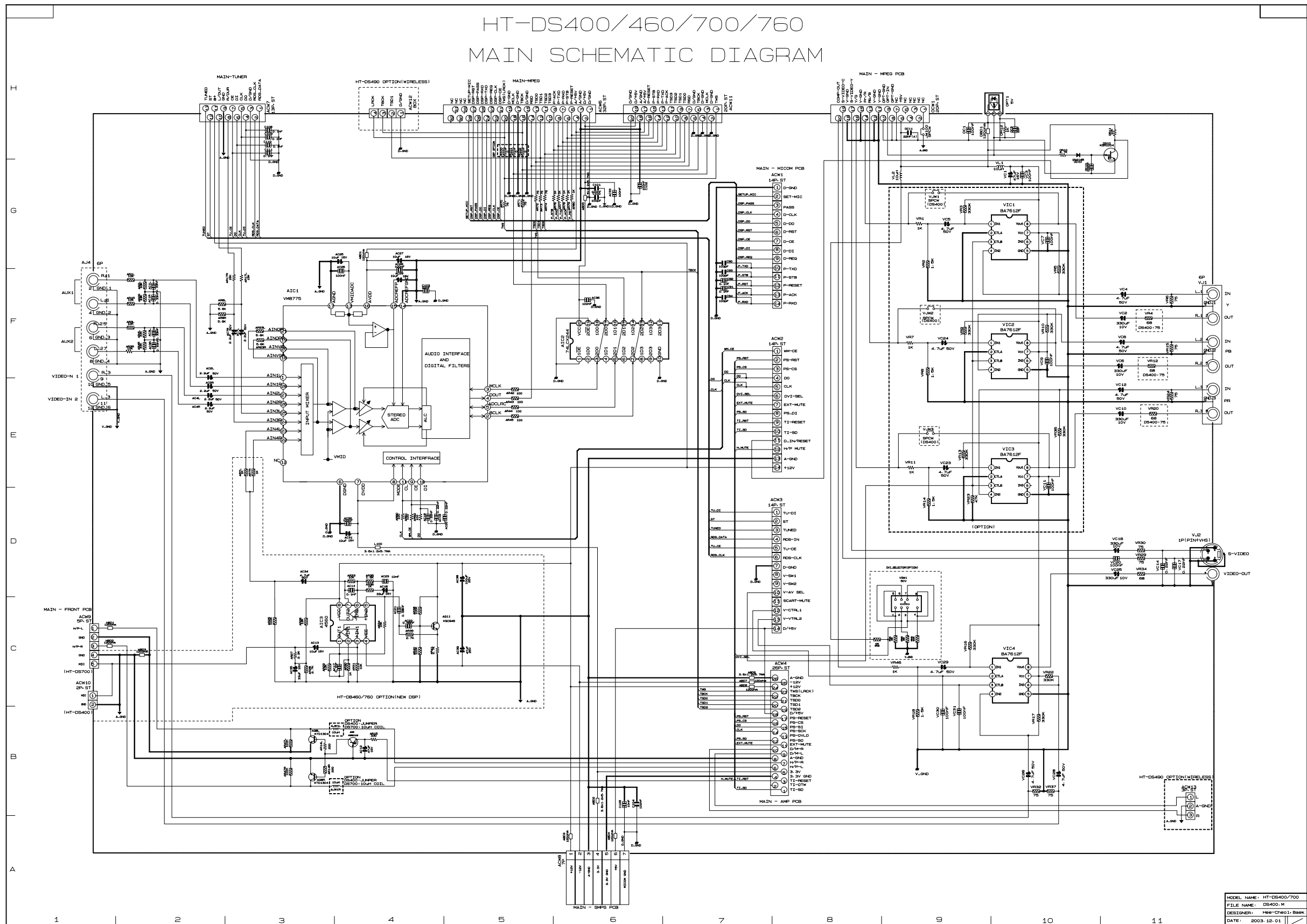
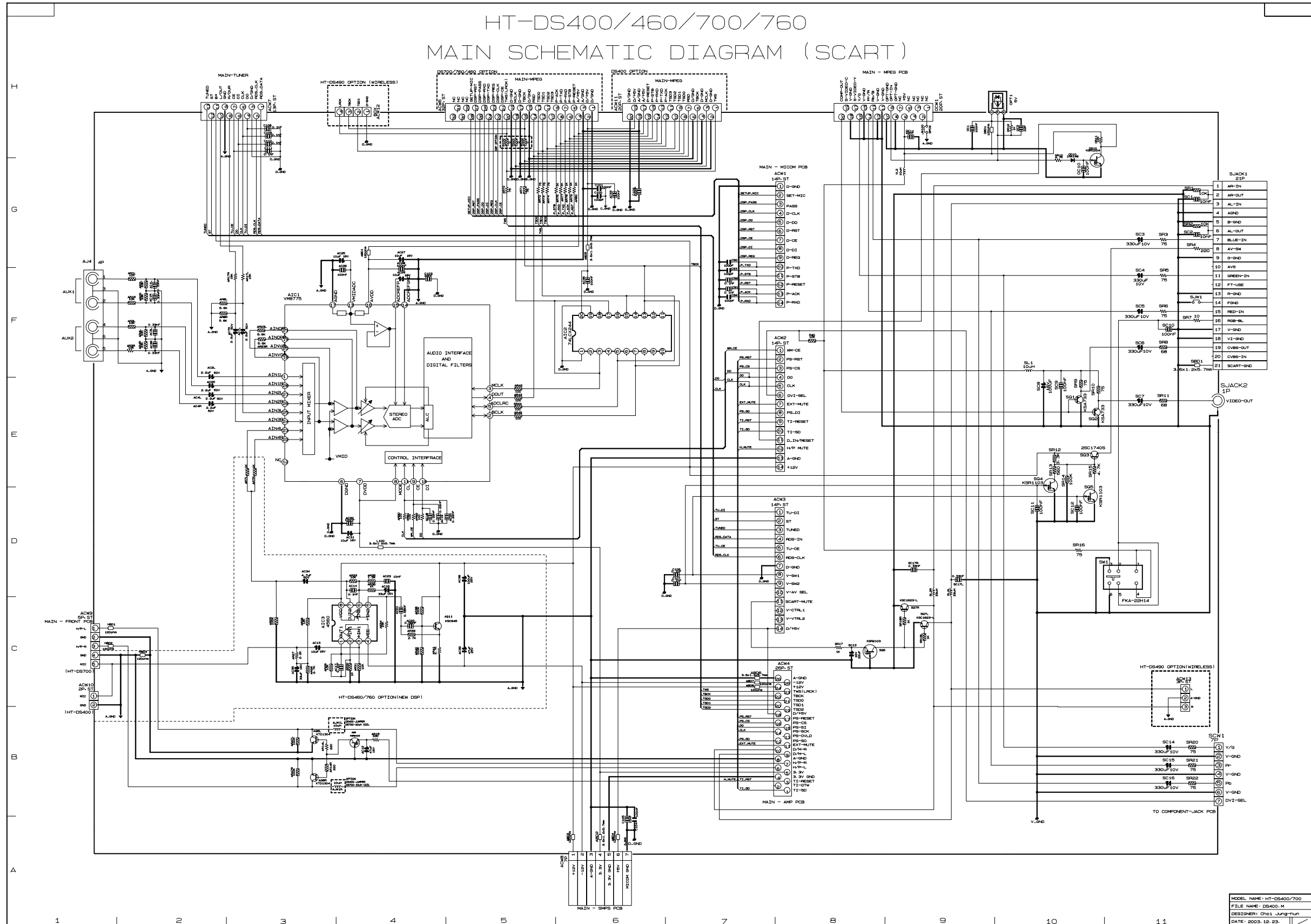


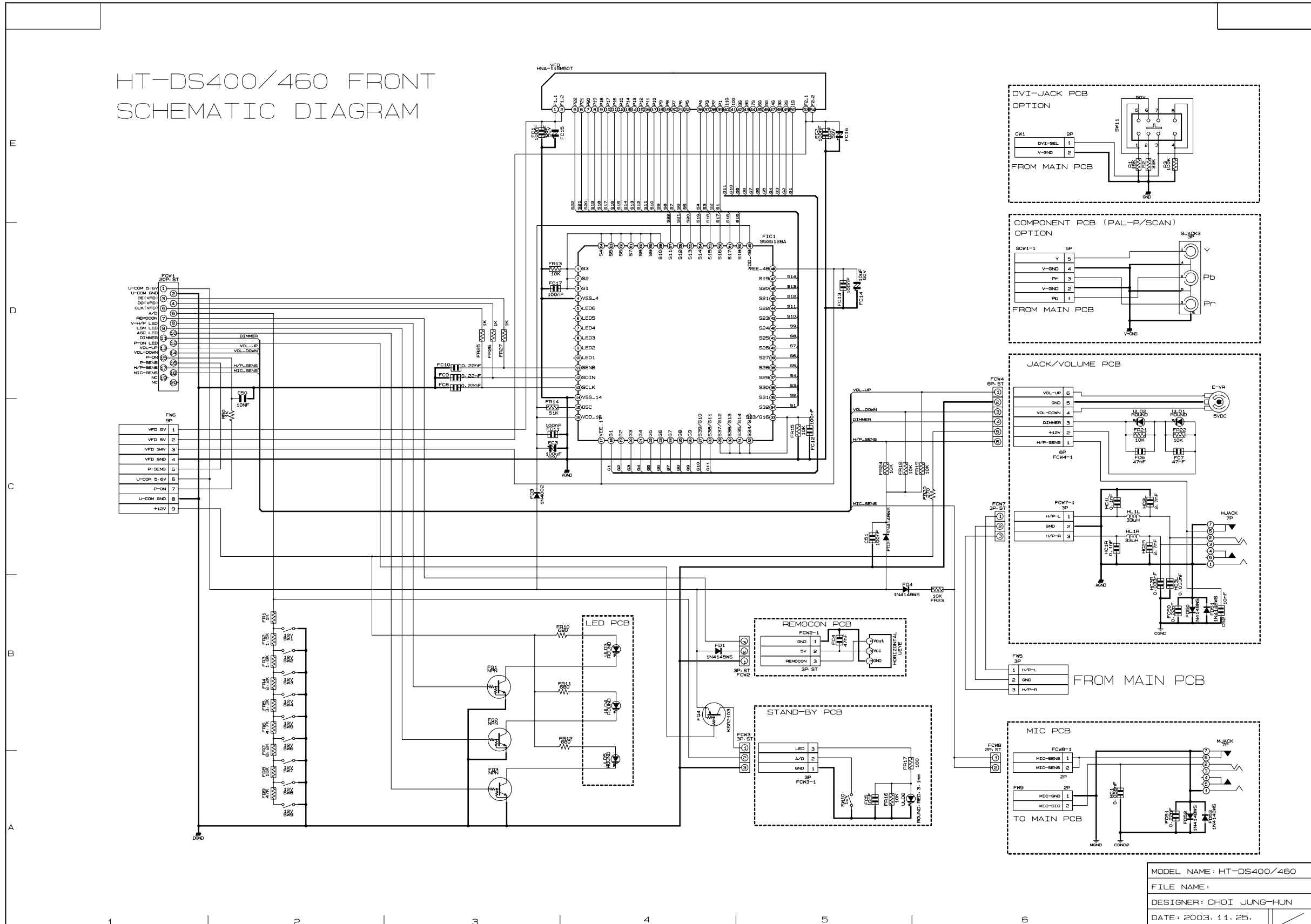
6-1-1 MAIN (RCA)

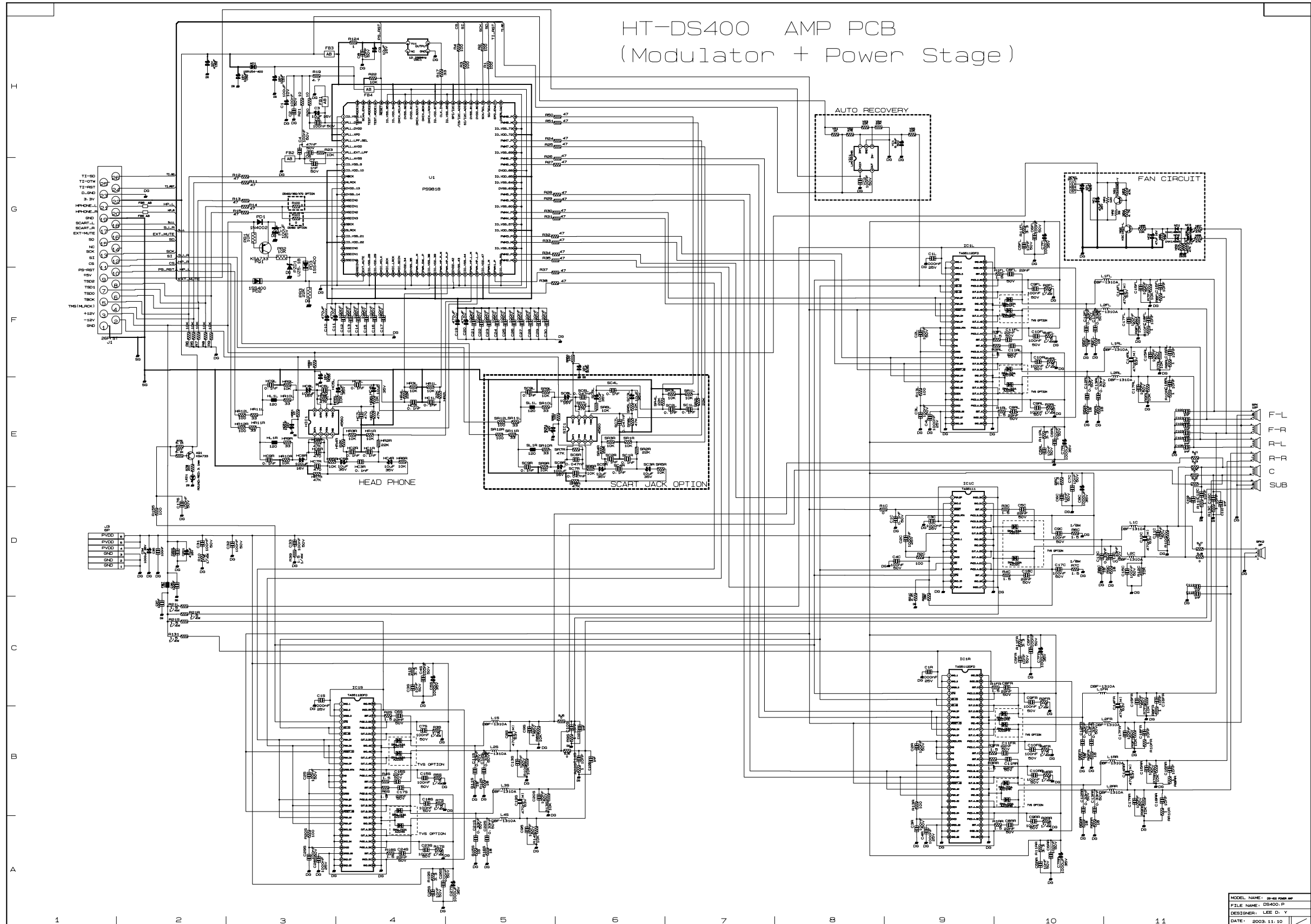


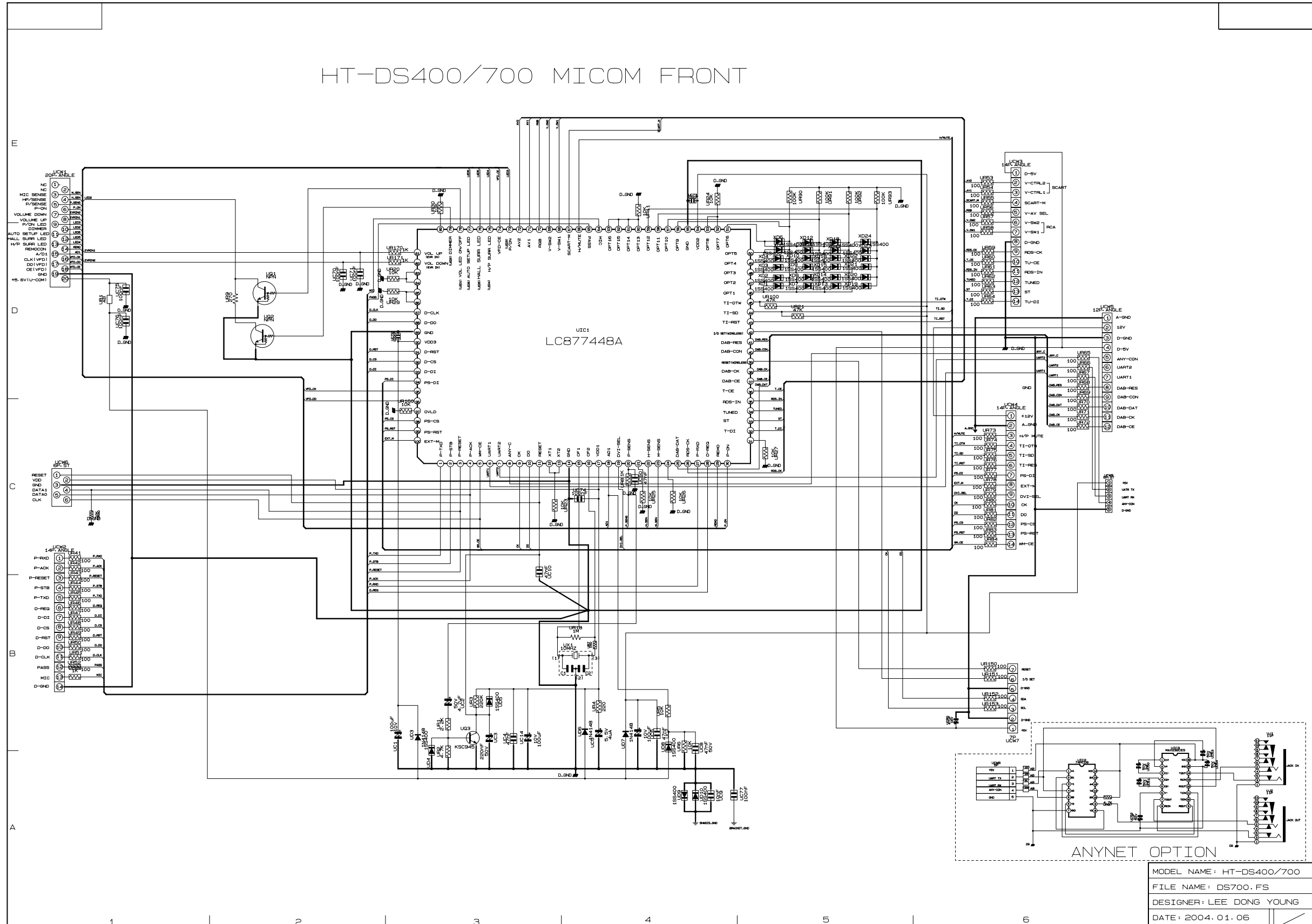
MODEL NAME: HT-DS400/700
 FILE NAME: DS400.M
 DESIGNER: HEE-CHOI, BARK
 DATE: 2003.12.01

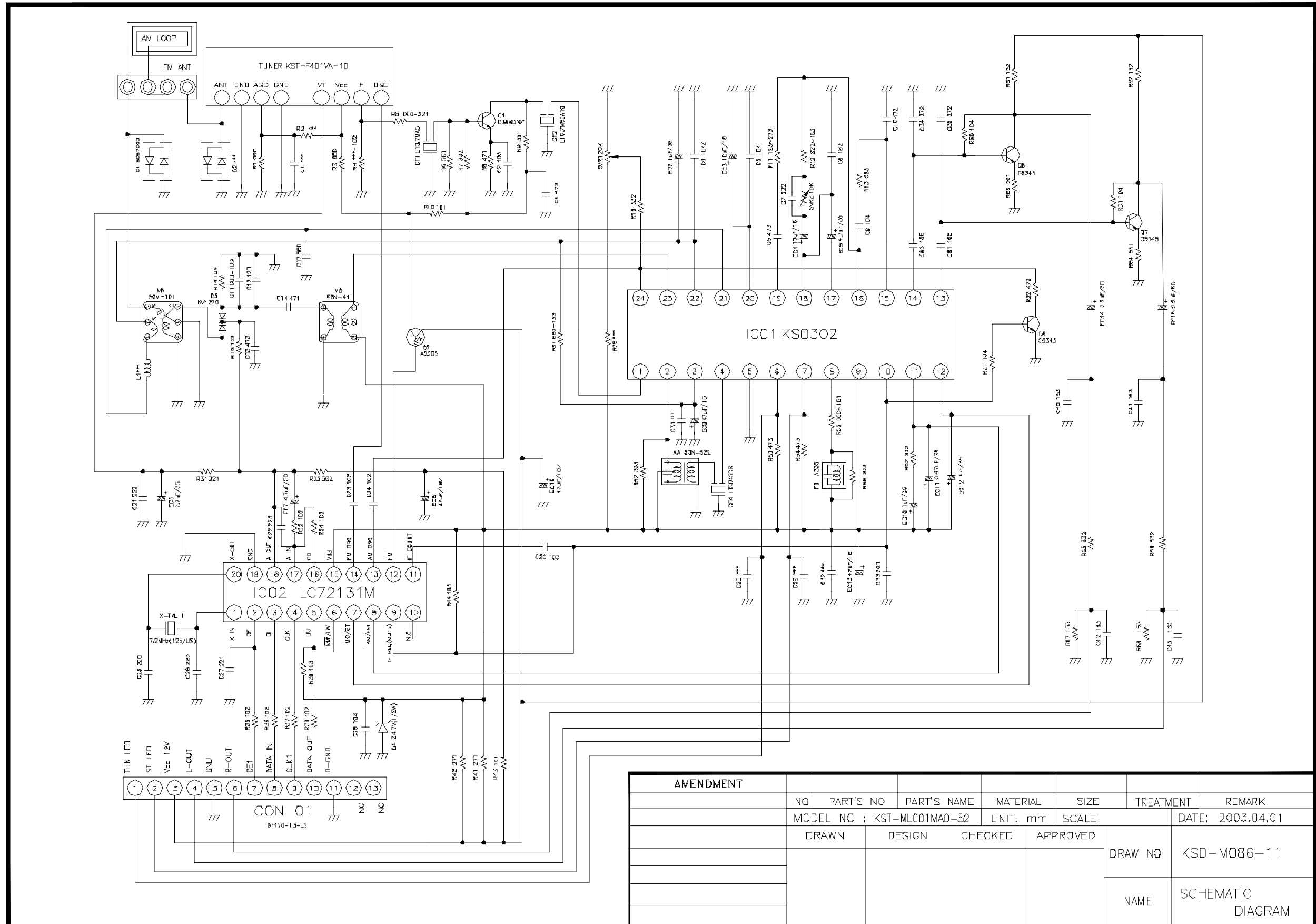


MODEL NAME: HT-DS400/700
 FILE NAME: DS400.M
 DESIGNER: CH3 JUNG-PUN
 DATE: 2003. 12. 23.









*Note: The Component values of this Schematic diagram are subject to change without notice for improvement.

